



## Coil Specification (at 20°C)

Coil Sensitivity	Coil Voltage Code	Nominal Voltage (VDC)	Nominal Current (mA)		Coil Resistance ( $\Omega \pm 10\%$ )	Power Consumption		Pull-In Voltage (VDC)	Drop-Out Voltage (VDC)	Max. Allowable Voltage (VDC)
			50 Hz	60 Hz		50HZ	60HZ			
RE 2P & 4P AC Coil	01	6	282.67	214.33	10	1.7VA	1.29VA	80% Maximum	30% Minimum	110%
	02	12	106.2	94.85	40	1.27VA	1.14VA			
	03	24	52.8	45.45	160	1.27VA	1.09VA			
	04	48	23.65	19.95	600	1.1VA	0.96VA			
	05	110	12.45	10.25	3,400	1.37VA	1.13VA			
	06	120	16.75	14.33	3,400	2.01VA	1.72VA			
	07	220	6.18	5.08	13,600	1.36VA	1.12VA			
	08	240	7.24	5.85	13,600	1.74VA	1.41VA			
	09	230	7.0	5.7	13,600	1.61VA	1.31VA			
RE 2P & 4P DC Coil	01	6	150		40	Abt. 0.9 W		80% Maximum	10% Minimum	110%
	02	12	75.0		160					
	03	24	36.9		650					
	04	48	18.5		2,600					
	05	110	10.0		11,000					
	06	120	10.9		11,000					
	10	60	15.0		4,000					

## Ordering Information

RE - 2 01 D M P F L T U

European Type:

U: European Type (Indicator, topside lockable test button, Smoked transparent case)  
 Nil: Standard RE Relay

Touch Button:

T: With Touch Button Selection  
 Nil: Standard Relay

LED:

L: With LED Selection  
 Nil: Standard Relay

Case Type:

F: Flanged Case (Except REU)  
 Nil: Standard Square Shape

Terminal Type:

P: PC Board Terminal  
 Nil: Solder Lug Terminal

Contact Form:

B: 1 From B  
 M: 1 From A  
 Nil: 1 From C

Coil Type:

A: AC Coil  
 D: DC Coil

Coil Code:

01: 6V, 02: 12V, 03: 24V, 04: 48V, 05: 110V, 06: 120V,  
 07: 220V, 08: 240V, 09: 230V, 10: 60V

Number of Pole:

2: 2 Poles  
 4: 4 Poles

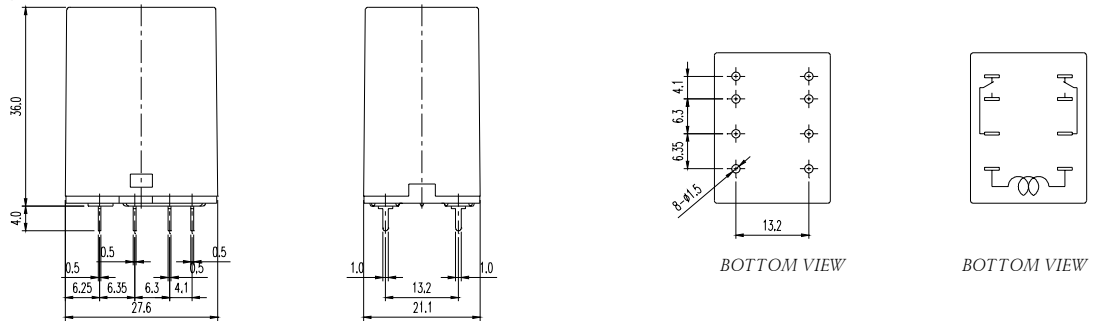
Type:

RE

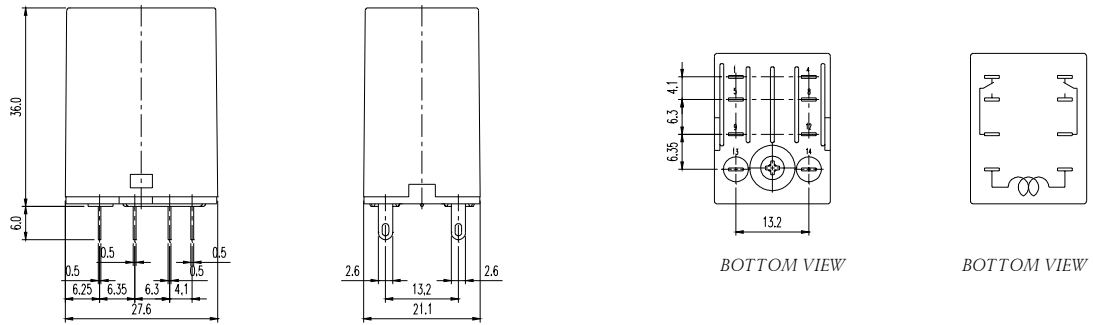
## Classification

Model	RE			
	AC Coil		DC Coil	
Coil Type				
Number Of Poles	2 Poles		4 Poles	
Contact Form	RE-2□□A/AM/AB	RE-4□□A/AM/AB	RE-2□□D/DM/DB	RE-4□□D/DM/DB
Terminal Type	RE-2□□A/AM/AB RE-2□□AP/AMP/ABP	RE-4□□A/AM/AB RE-4□□AP/AMP/ABP	RE-2□□D/DM/DB RE-2□□DP/DMP/DBP	RE-4□□D/DM/DB RE-4□□DP/DMP/DBP
Case Type	RE-2□□A/AM/AB RE-2□□AF/AMF/ABF	RE-4□□A/AM/AB RE-4□□AF/AMF/ABF	RE-2□□D/DM/DB RE-2□□DF/DMF/DBF	RE-4□□D/DM/DB RE-4□□DF/DMF/DBF
LED	RE-2□□AL/AML/ABL RE-2□□APL/AMPL/ABPL RE-2□□AFL/AMFL/ABFL	RE-4□□AL/AML/ABL RE-4□□APL/AMPL/ABPL RE-4□□AFL/AMFL/ABFL	RE-2□□DL/DML/DBL RE-2□□DPL/DMPL/DBPL RE-2□□DFL/DMFL/DBFL	RE-4□□DL/DML/DBL RE-4□□DPL/DMPL/DBPL RE-4□□DFL/DMFL/DBFL
Touch Button	RE-2□□AT/AMT/ABT RE-2□□APLT/AMPLT/ABPLT RE-2□□AFLT/AMFLT/ABFLT	RE-4□□AT/AMT/ABT RE-4□□APLT/AMPLT/ABPLT RE-4□□AFLT/AMFLT/ABFLT	RE-2□□DT/DMT/DBT RE-2□□DPLT/DMPLT/DBPLT RE-2□□DFLT/DMFLT/DBFLT	RE-4□□DT/DMT/DBT RE-4□□DPLT/DMPLT/DBPLT RE-4□□DFLT/DMFLT/DBFLT
Europe Type	RE-2□□ALTU/AMLTU/ABLTU RE-2□□ APLTU/AMPLTU/ABPLTU	RE-4□□ALTU/AMLTU/ABLTU RE-4□□ APLTU/AMPLTU/ABPLTU	RE-2□□DLTU/DMLTU/DBLTU RE-2□□DPLTU/DMPLTU/DBPLTU	RE-4□□DLTU/DMLTU/DBLTU RE-4□□DPLTU/DMPLTU/DBPLTU
Remark	"LTU" were restricted to be together within European Type ordering			

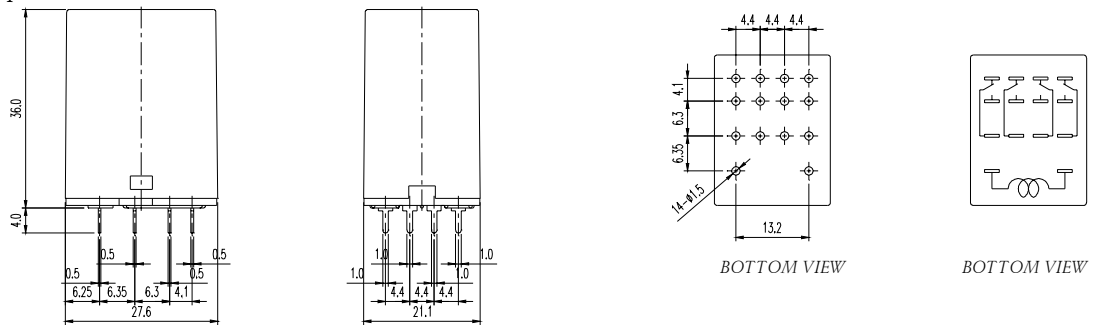
RE-2-P



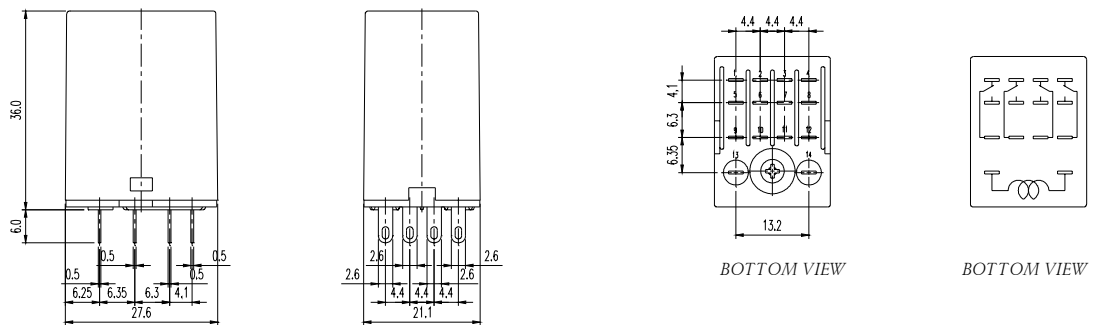
RE-2



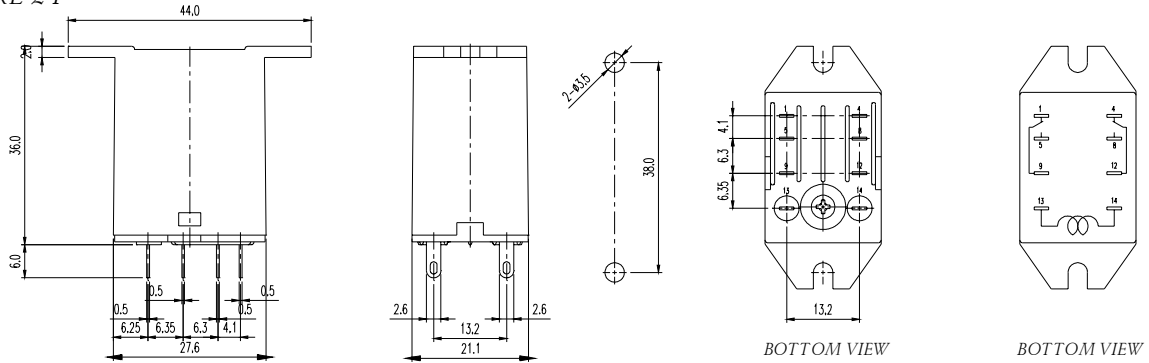
RE-4-P

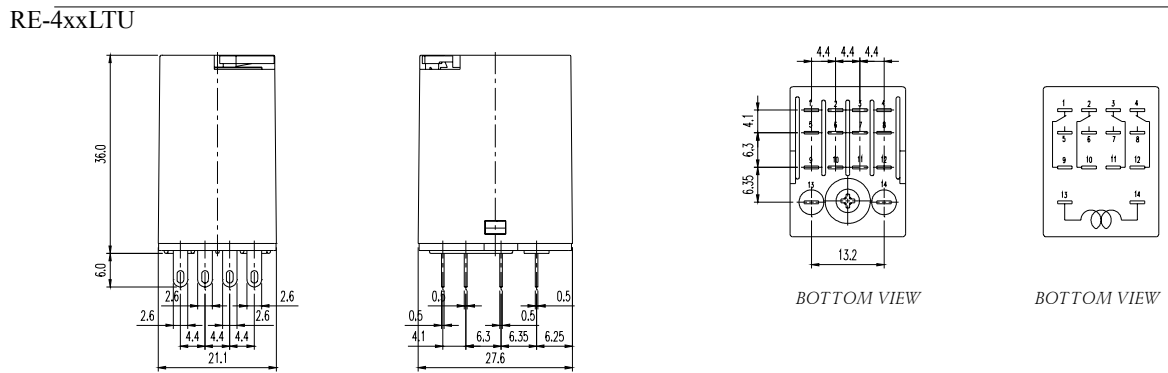
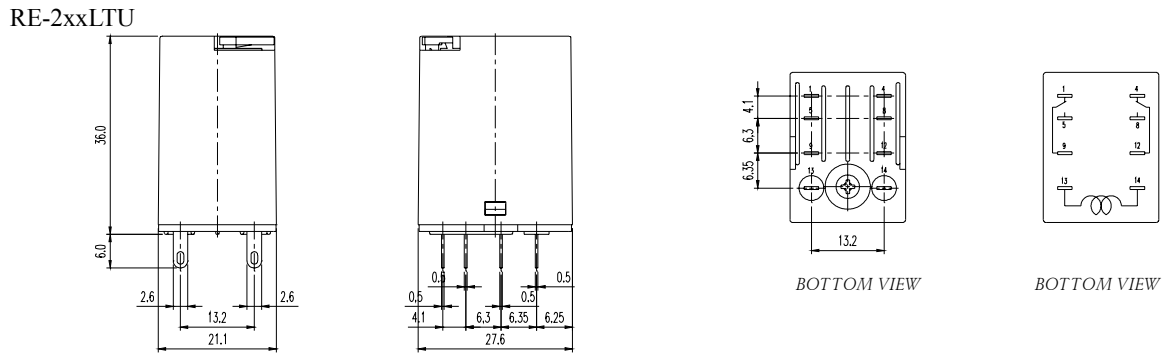
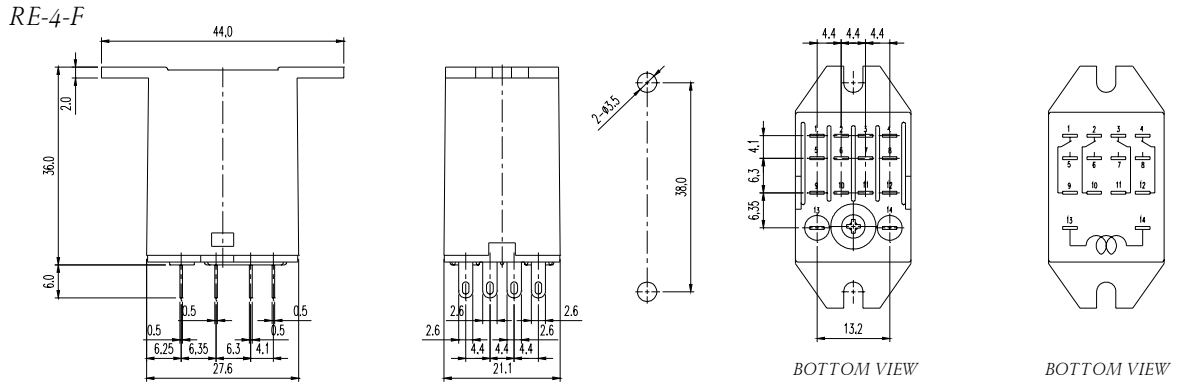


RE-4



RE-2-F





※For European Type, only “LTU” available in classification.

**Wiring diagrams (Bottom view)**

<b>RE-2p</b>		
DCV Model for Asia	DCV Model for Europe	ACV Model
<b>RE-4p</b>		
DCV Model for Asia	DCV Model for Europe	ACV Model

RE